

INQUIRY No
31/ENG/OIN/2015

TELE-FONIKA Kable S.A.

(formerly:

TELE-FONIKA Kable Sp. z o.o. S.K.A.)

+48 12 652 50 00

+48 12 652 51 56

info@tfkable.com

Wielicka 114

30-663 Krakow, Poland

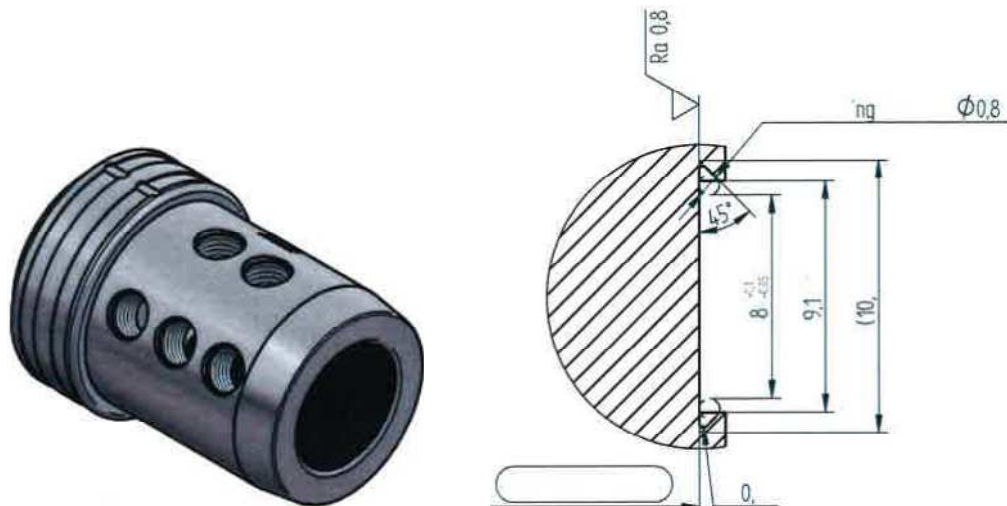
I. Title:

We would like to invite you to submit your the best offer for electrical contact band (no. 8) acc. to below HV contact element. Purchasing quantity: 10m length.

The contact band should has:

- low contact resistance,
- low voltage drop,
- high short circuit currents,
- high current transfer density,
- high number of mating cycles.

Recess for band showed below.



Expected delivery time: June 2015.

II. The offer must include following data:

1. Technical specification,
2. Offer expiration data,
3. Net price,
4. Delivery cost to:
Tele-Fonika Kable S.A. ul. Fordońska 152, 85-957 Bydgoszcz,
5. Terms of payments,
6. Warranty and Guaranty period.

Management Board:

President:
Ryszard Pilch

I Vice President:
Piotr Mirek

Vice President:
Zbigniew Miazek

Vice President:
Bartłomiej Zgrzyzek

Company is registered at the
Register of Entrepreneurs of the
National Court Register in the
District Court for Krakow-
Srodmiescie in Krakow,
Department XI of the National
Court Register with number KRS
0000491666.

REGON: 270543582

NIP: 626-000-43-86

Initial capital:
923 993 350 PLN (wholly paid-up)



TELE-FONIKA Kable S.A.

(formerly:

TELE-FONIKA Kable Sp. z o.o. S.K.A.)

+48 12 652 50 00

+48 12 652 51 56

info@tfkable.com

Wielicka 114

30-663 Krakow, Poland

III. Place and date of submission of the offer

Offers in sealed envelopes have to be sent to Mrs. Marta Lenard for the following, address : Tele-Fonika Kable S.A. H. Cegielskiego Street no. 1, 32-400 Myślenice, Poland. Additionally, the electronic version of the offer should be sent by e-mail to marta.lenard@tfkable.com till **26.05.2015**

IV. Evaluation of tenders

The offer will be evaluated on base of the criteria shown in the table below.

	Points	W %	Min. p.		Max. p.	
Compatibility with inquiry apytaniem	Requirement					
Price	0-5	30%	1	0,3	5	1,5
Terms of payment	0-4	20%	1	0,2	4	0,8
Time of delivery	0-5	30%	2	0,6	5	1,5
Warranty/Guaranty	0-4	20%	1	0,2	4	0,8
SUM	0-18	100%	5	1,3	18	4,6

Minimum requirements to acceptance the offer is >1,3 point. and following point must be fulfilled .

Information about table:

- Compatibility with inquiry : 0 – replacements, no element, a smaller range compared to inquire, deficiencies formal legal
- Price:

5	–less than budget
4	– budget,
3	– 5% higher than budget,
2	– 10% higher than budget,
1	– 15% higher than budget,
0	– 20% higher than budget,
- Terms of payment:

0 – 100% prepayment

- Time of delivery – awarded according to the actual / valuation / required deadline for completion:

5	– less than 7 days,
4	– 7 days,
3	– one day after the deadline,
2	– 2 days after the deadline,
1	– 3 days after the date,
0	– more than four days after the deadline.
- Warranty:

Awarded according to specification of inquiry:
– construction topice – 5 years,
– instalation – 3 years.

Management Board:

President:
Ryszard Pilch

I Vice President:
Piotr Mirek

Vice President:
Zbigniew Miazek

Vice President:
Bartłomiej Zgryzek

Company is registered at the Register of Entrepreneurs of the National Court Register in the District Court for Krakow-Srodmiescie in Krakow, Department XI of the National Court Register with number KRS 0000491666.

REGON: 270543582

NIP: 626-000-43-86

Initial capital:
923 993 350 PLN (wholly paid-up)



TELE-FONIKA Kable S.A.

(formerly:

TELE-FONIKA Kable Sp. z o.o. S.K.A.)

+48 12 652 50 00

+48 12 652 51 56

info@tfkable.com

Wielicka 114

30-663 Krakow, Poland

Tele-Fonika Kable S.A. reserves the right to change the assessment of the offer. The change may be the subject (criteria), parameters and their weight, depending on the specifics of the ordered equipment or services. Each change will be entered to the inquiry.

One of the additional indicators, which may be taken into account, is the testimonials of the offerent. Depending on the specifics of the contract, the sales level of equipment, number of orders on a scale of past 5 years and the list of authorities (the country, the level of production) will be taken under consideration.

V. Compliance with legal requirements, health and safety, depending on the specifics of the offer

The tendered is required to meet / provide all the legal requirements that associated with equipment or service offered.
you meet the legal requirements or safety associated with a higher bid you have to specify

VI. Information about the chosen offer

Only the best offer from between the delivered offers will be chosen for negotiation. Purchaser will inform bidders in person and set time of negotiations.

VII. Additional information

- organization side:
Agnieszka Moksa phone no. 665 810 601 and email:
agnieszka.moksa@tfkable.com
- technical side:
Sebastian Zakrzewski phone no. 665 810 127 and email:
sebastian.zakrzewski@tfkable.com

Management Board:

President:
Ryszard Pilch

I Vice President:
Piotr Mirek

Vice President:
Zbigniew Miazek

Vice President:
Bartłomiej Zgryzek

Company is registered at the Register of Entrepreneurs of the National Court Register in the District Court for Krakow-Srodmiemie in Krakow, Department XI of the National Court Register with number KRS 0000491666.

REGON: 270543582

NIP: 626-000-43-86

Initial capital:
923 993 350 PLN (wholly paid-up)

www.tfkable.com

Best regards
Agnieszka Moksa
Investment Specialist

tel. 012-652-55-94
kom. 665-810-601
e-mail: agnieszka.moksa@tfkable.com